



# 883 Spaleck

The new Terex Finlay 883 Spaleck is the ultimate in mobile screening and separation technology. At the heart of the machine is the 2 deck German designed and constructed high performance screenbox.

The unique stepped top deck design combined with state of the art flip flow technology on the bottom deck catapults the 883 Spaleck into a class of its own.

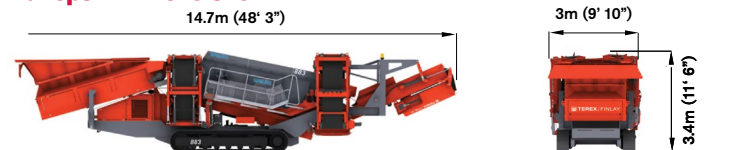
Its processing capabilities and application flexibility make the machine the only all in one mobile solution for processing difficult waste, recycling, slag, C&D, shredded metal, wood, compost, mulch, ores, coal, soil...

The Spaleck heavy duty vibrating screen is near to blockage and maintenance-free and has a processing range of 1mm to 120mm

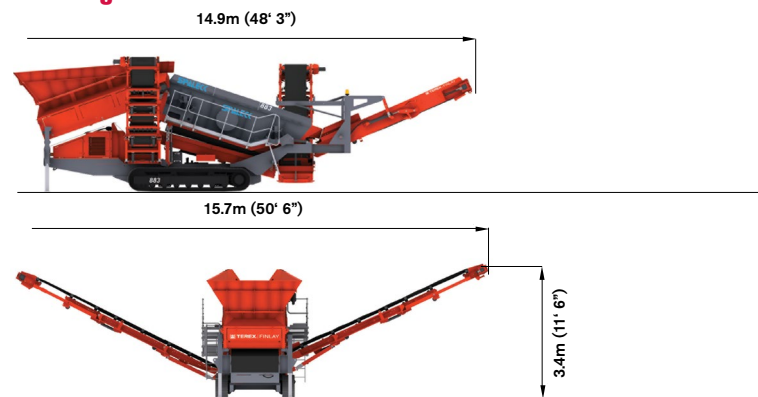
## Features:

- ▶ Unique, stepped, 3D punch plate top deck design.
- ▶ State of the art Flip - Flow technology bottom deck.
- ▶ Flexibility to work in difficult waste processing, slag, biomass, compost, etc.
- ▶ Screen box discharge end can be hydraulically raised 500mm to facilitate efficient and easy media access and changing.
- ▶ All stockpiling conveyors are hydraulic angle adjustable.

## Transport Dimensions



## Working Dimensions



Machine Weight: 30,000Kg (66,138lbs)\*  
\*Standard Machine Configuration Estimated



**TEREX® | FINLAY**



# Heavy Duty Screen 883 Spaleck